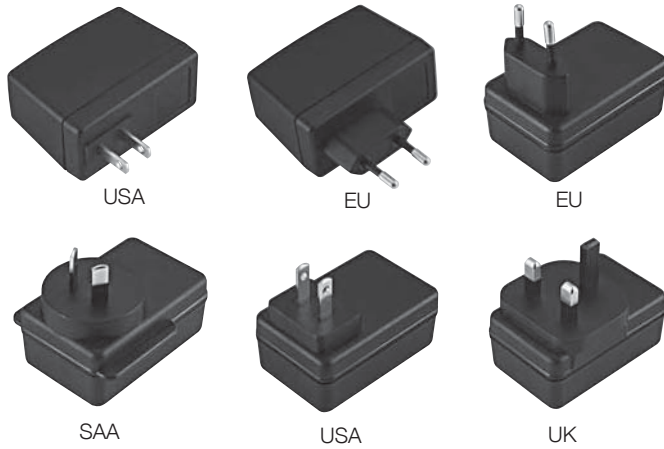


EA1018 Series



Features

- CEC Compliance
- RoHS Compliance
- Plug USA, EU, SAA, UK Type
- Over Voltage Protective Installation
- Protection Type: Auto-Recovery
- MTBF: >30,000 hours

EA1018 x Y z - vv PP

- x:** Output range
- Y:** Case type: 1. Right angle 2. Straight type
- z:** AC plug type: • U: USA • E: EU • K: UK • A: SAA
- vv:** Specified output voltage, ie 24 is 24Vdc
- PP:** Connector type, ie 01 for EDACPOWER standard dc cable or please refer to the appendix page

Electrical Specifications

MODEL No.	MAX. OUTPUT POWER (W)	OUTPUT VOLTAGE (Vo)	MIN. LOAD (Io)	MAX. LOAD (Io)	LOAD REGULATION	LINE REGULATION	RIPPLE & NOISE
EA1018A-yz	18W	5~9V	0	3.0A	+/- 5%	+/- 1%	100mV
EA1018B-yz	18W	9~13V	0	2.0A	+/- 5%	+/- 1%	150mV
EA1018C-yz	20W	13~18V	0	1.53A	+/- 5%	+/- 1%	200mV
EA1018D-yz	20W	18~24V	0	1.11A	+/- 5%	+/- 1%	250mV
EA1018E-yz	20W	32~36V	0	0.625A	+/- 5%	+/- 1%	360mV
EA1018F-yz	21W	7.5V	0	2.8A	+/- 5%	+/- 1%	150mV
EA1018G-yz	24W	12V	0	2.0A	+/- 5%	+/- 1%	150mV

NOTE:

- 1 : Ripple & noise is measured by using 20MHz bandwidth limited oscilloscope and terminated each output with a 0.1uf ceramic capacitor & parallel with 47uF aluminum capacitor at full load and nominal line.
- 2 : Line regulation is defined by changing $\pm 10\%$ of input voltage from nominal line at rated load.
- 3 : Max. Output Power (W) $\geq V_o \times I_o$

Electrical Specifications

INPUT

- Input Range 100 to 240 VAC
- Frequency 50 to 60Hz
- Input Current $\leq 1.0A$
- Inrush Current $\leq 60A$
- Efficiency 75% Typ.
- Hold Up Time $\geq 8.3mS$
- Turn On Time $\leq 3s$

OUTPUT

- Over Voltage Protection Auto Recovery
- Short Circuit Protection Auto Recovery

ENVIRONMENTAL

- Operating Temperature 0 to 40°C
- Storage Temperature -20 to 85 °C
- Storage Humidity 5 % to 95%

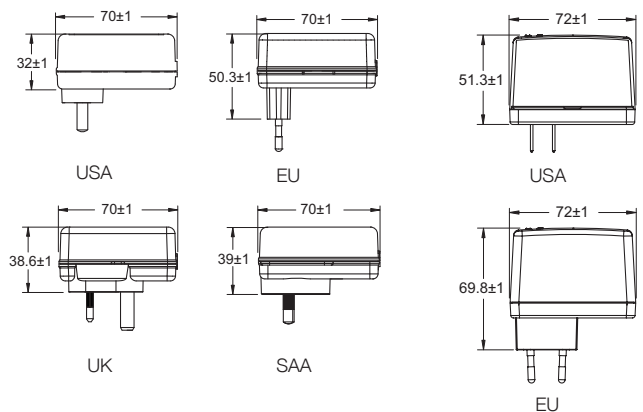
SAFETY

- UL/CUL UL60065, UL60950
- TUV/GS EN/IEC 60065, EN/IEC 60950
- FCC, CE, CB

Mechanical Specification

Case Type1: Right angle

Case Type2: Straight type



- Case Size: 1. USA: 70Lx45Wx32H (mm), EU: 70Lx45Wx50.3H (mm)
UK: 70Lx45Wx38.6H (mm), SAA: 70Lx55Wx39H (mm)
2. USA: 72Lx34Wx51.3H (mm), EU: 72Lx34Wx69.8H (mm)
- AC Plug: • U: USA • E: EU • K: UK • A: SAA
- Weight: 150g

EA1018x21 Series



C8

Features

- CEC Compliance
- RoHS Compliance
- Desk Top Type
- Over Voltage Protective Installation
- Protection Type: Auto-Recovery
- MTBF: >30,000 hours

EA1018 x YY - vv PP

x: Output range

YY: Case type: 21: C8

vv: Specified output voltage, ie 24 is 24Vdc

PP: Connector type, ie 01 for EDACPOWER standard dc cable or please refer to the appendix page

Electrical Specifications

MODEL No.	MAX. OUTPUT POWER (W)	OUTPUT VOLTAGE (Vo)	MIN. LOAD (Io)	MAX. LOAD (Io)	LOAD REGULATION	LINE REGULATION	RIPPLE & NOISE
EA1018A21	18W	5~9V	0	3.0A	+/- 5%	+/- 1%	100mV
EA1018B21	18W	9~13V	0	2.0A	+/- 5%	+/- 1%	150mV
EA1018C21	20W	13~18V	0	1.53A	+/- 5%	+/- 1%	200mV
EA1018D21	20W	18~24V	0	1.11A	+/- 5%	+/- 1%	250mV
EA1018E21	20W	32~36V	0	0.625A	+/- 5%	+/- 1%	360mV
EA1018F21	21W	7.5V	0	2.8A	+/- 5%	+/- 1%	150mV
EA1018G21	24W	12V	0	2.0A	+/- 5%	+/- 1%	150mV

NOTE:

- 1 : Ripple & noise is measured by using 20MHz bandwidth limited oscilloscope and terminated each output with a 0.1uf ceramic capacitor & parallel with 47uF aluminum capacitor at full load and nominal line.
- 2 : Line regulation is defined by changing $\pm 10\%$ of input voltage from nominal line at rated load.
- 3 : Max. Output Power (W) $\geq V_o \times I_o$

Electrical Specifications

INPUT

- Input Range 100 to 240 VAC
- Frequency 50 to 60Hz
- Input Current $\leq 1.0A$
- Inrush Current $\leq 60A$
- Efficiency EA1018A,B: 76% Typ.
EA1018C~E: 77% Typ.
EA1018F: 77.4% Typ.
EA1018G: 78.6% Typ.
- Hold Up Time $\geq 8.3ms$
- Turn On Time $\leq 3s$

OUTPUT

- Over Voltage Protection Auto Recovery
- Short Circuit Protection Auto Recovery

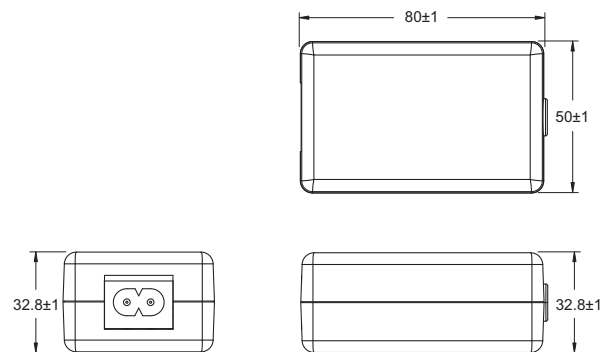
ENVIRONMENTAL

- Operating Temperature 0 to 40°C
- Storage Temperature -20 to 85 °C
- Storage Humidity 5 % to 95%

SAFETY

- UL/CUL UL60065, UL60950
TUV/GS EN/IEC 60065, EN/IEC 60950
FCC, CE, CB

Mechanical Specification



- Case Size: 80Lx50Wx32.8H (mm)
- AC Inlet: C8
- Weight: 150g